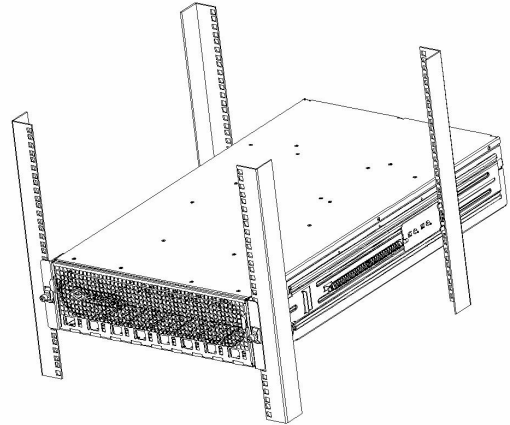


Chassis Rapid Mounting Kit

Dramatically Reduce Chassis Installation Time

The Chassis Rapid Mounting Kit is designed to aid in the installation of a ClearCube Chassis into standard 4-post rack environments. Utilizing captive thumbscrews and locking latches the Chassis Rapid Mounting Kit makes it easy to securely fasten a Chassis to a rack in less than two minutes. Safety is also a key feature as the design allows Chassis installation by a sole installer with reduced likelihood of personal injury due to lifting strains or pinched fingers.



The kit consists of two rack rails, two Chassis brackets and mounting screws. The rack rails snap into the rack mounting holes without the need for tools or screws. Once placed, the rails are spring loaded and lock to prevent inadvertent dislodgement during installation and removal of the Chassis. A release tab on each rail provides quick disengagement making future Chassis repositioning a snap. The two Chassis brackets mount to each side of the Chassis and slide into the rails mounted on the rack. Once the Chassis is fully inserted, a thumbscrew on each bracket firmly secures the equipment to the rack and prevents future tampering.

The Chassis Rapid Mounting Kit provides the following benefits:

- Easy, safe Chassis installation by one person in under two minutes
- A substantial reduction in the time to install, move, or upgrade a Chassis (avg. 5x faster)
- The ability to easily install a Chassis in between two existing Chassis
- The ability to easily install a Chassis in an enclosed rack with limited side/rear access
- Captive thumbscrews that securely fasten Chassis to rack and prevent tampering

Requirements:

- Square hole, four post rack with front to back spacing of 21.25 in. to 29.25 in. (54 cm – 74.3 cm)
- ClearCube Chassis (Cage) without Blades installed

Ordering Information

Use the following part number to order your Chassis Rapid Mounting Kit:

091075 – Chassis Rapid Mounting Kit with Instructions