

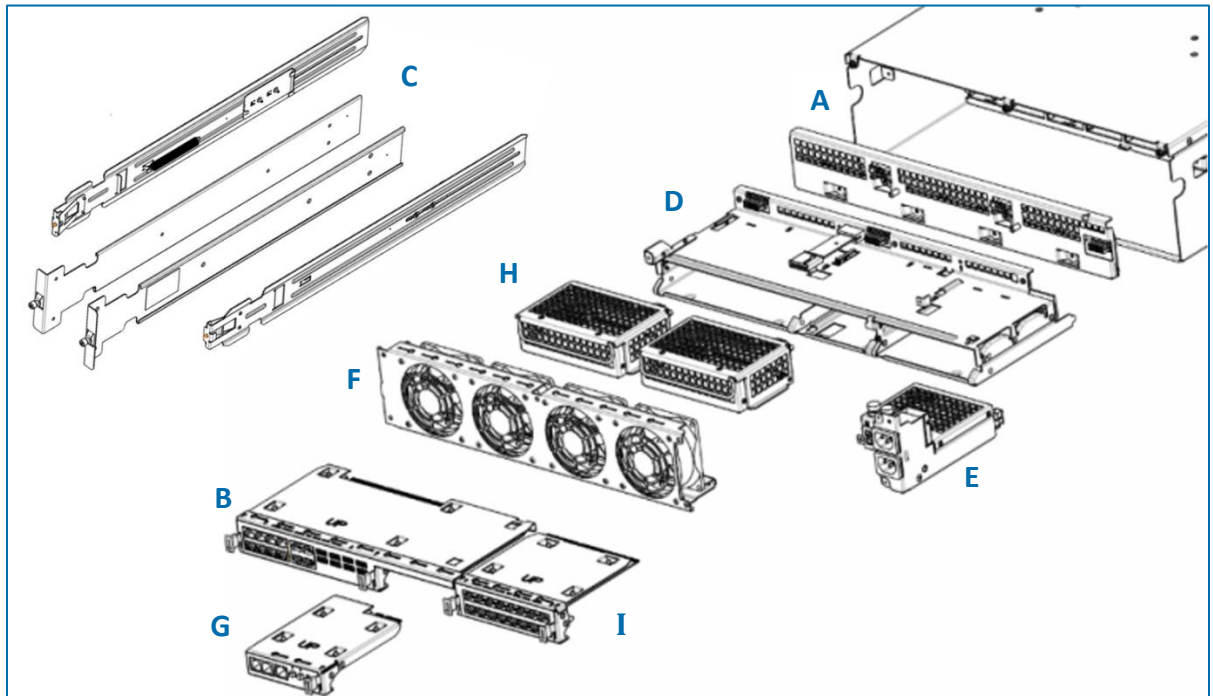
# R4300 Chassis Bundle

## Chassis Bundle Contents

The table below details each component in the R4300 chassis bundle.

Letter	Item Number	Item Description	Qty
A	G091058	Model R3140 Cage w/o Backpack (AC Backplane installed)	1
B	G091068	R4300 8 × 8 Connect Module R-Series	1
C	G091075	Chassis Rapid Mounting Kit	1
D	G091066	R4300 BackPack Chassis	1
E	G091057	R4300 Dual A/C Input Module	1
F	G091065	R4300 Fan Tray	1
G	G091070	R4300 Remote Mgmt Module	1
H	G091073	R4300 Power Supply Unit	2
Not Shown	G060036	Chassis/IPort Power Cord - NA	2
I	G0900082	R4300 EP2 16GB Port Network Module	1

The picture below shows each part listed in the table above.





## Related Information and Support

### Related information

See *R-Series Data Center Products User's Guide* for additional information about R4300 chassis setup, configuration, operation, and maintenance.

Documentation is located at <http://www.clearcube.com/support/>.

### Contacting Support

<b>Web</b>	<a href="http://www.clearcube.com/support/">www.clearcube.com/support/</a>
<b>Email</b>	<a href="mailto:support@clearcube.com">support@clearcube.com</a>
<b>Toll-free</b>	(866) 652-3400
<b>Direct</b>	(512) 652-3400

#### WEEE Disposal Guidelines

In the European Union, this electronic product falls under the European Directive (2002/96/EC) WEEE. When it reaches the end of its useful life or is no longer wanted, it should not be discarded with conventional waste, but disposed of at an approved designated recycling and/or treatment facility. Laws are different in each country, so please check with your local authorities for proper disposal instructions. For assistance, contact ClearCube at [recycle@clearcube.com](mailto:recycle@clearcube.com).

