





Zero Client Mounting Bracket Quick Start Guide

About the Zero Client Mounting Bracket

Package contents

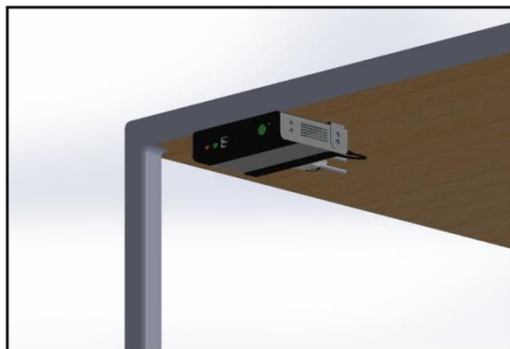
The list below shows the contents of a zero client mounting bracket package (images are not to scale).

	Zero client mounting bracket (× 1) with 100 × 100 mm VESA® mounting hole pattern
	Machine screws, 0.4-inch (× 3) for VESA mounting option
	Wood screws, 0.75-inch (× 3) for under-desk mounting option
	Thumb screws (× 4) for securing bracket to zero client
—	This <i>Quick Start Guide</i>

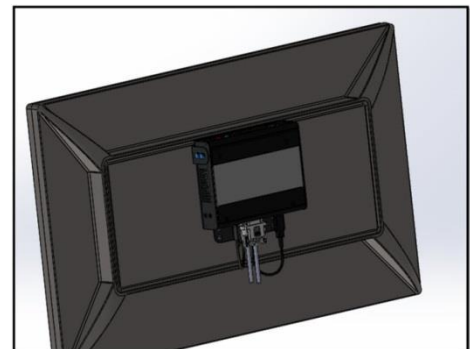
Mounting options

The pictures below show the under-desk and VESA mounting options.

Under Desk Mounting



VESA Mount





Before You Begin

Safety and precautions

If your zero client contains a smart card reader:



Prevent ESD (electrostatic discharge) damage to smart card readers by always discharging your body and smart card before using a reader (for example, by touching a grounded, unpainted, metal object). ESD can vary depending on many environmental conditions, including clothing that users wear and how they handle smart cards. ESD damage can potentially cause unsupported card reader behavior including failure. Always perform ESD prevention steps before using the card reader.

Setup and cooling requirements

The list below shows setup and cooling requirements. Ensure that:

- There are at least four inches of space around all zero client edges.
 - Ambient temperature around a zero client does not exceed 35° C (95° F).
 - No objects are stacked on the zero client or are blocking the client's vents (such as papers, folders, computer speakers, or any other objects).
 - Adjacent furniture (file drawers, desk supports, chairs) do not block or enclose any sides of the zero client.
 - The zero client is not in any enclosed environment such as on a shelf or inside a drawer.
-

Tools required

The list below shows tools needed for installation.

- Phillips head screwdriver
 - Pencil or pen for marking mounting holes (for under-desk mounting)
 - Drill and $\frac{3}{32}$ -inch bit (for under-desk mounting)
-

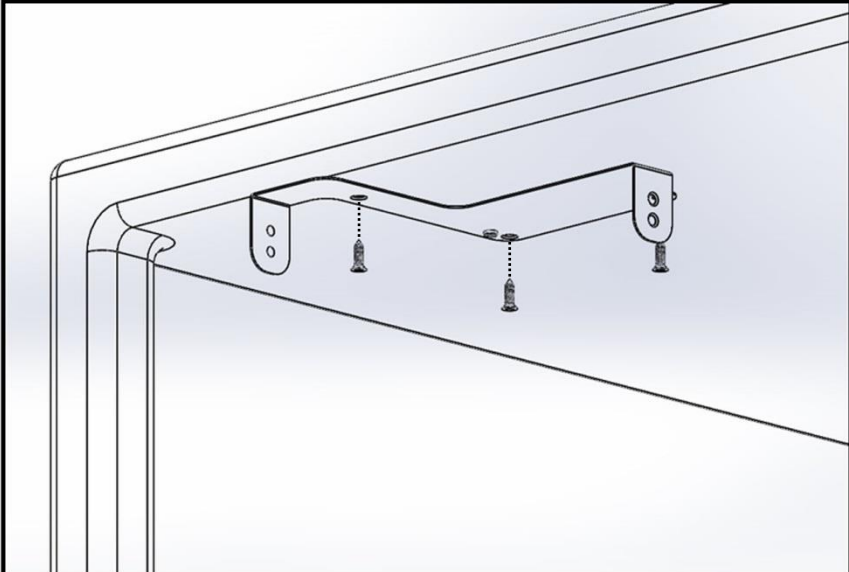
Installation

This section shows how to install the mounting bracket under a desk (or other piece of furniture) or using a VESA mount.

Under desk mounting

The steps below show how to mount a bracket under a desk or other piece of furniture and how to attach a zero client to the bracket.

Mounting the bracket

Step	Action
1	When choosing a mounting location, be sure to orient the bracket as shown in the figure below. Use the bracket as a template to mark the location of the three mounting holes.
2	Use a $\frac{3}{32}$ -inch bit to drill pilot holes for the wood screws in the locations you marked (be sure that the depth of the pilot holes is appropriate for the thickness of the furniture).
3	Align the bracket with the pilot holes. Use the included wood screws to affix the bracket to the desk. 

Now attach a zero client to the bracket as shown below.

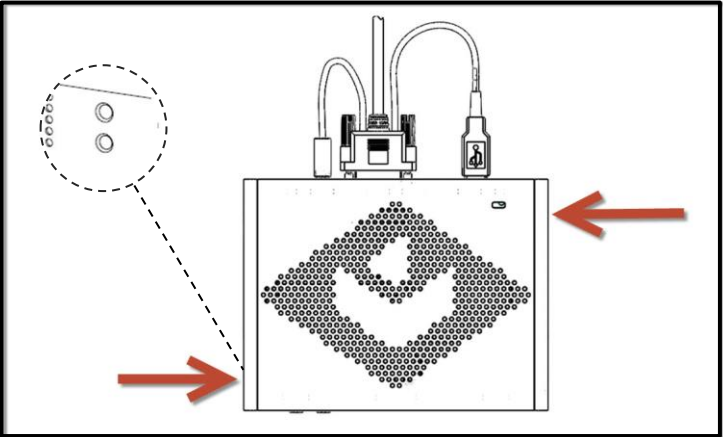
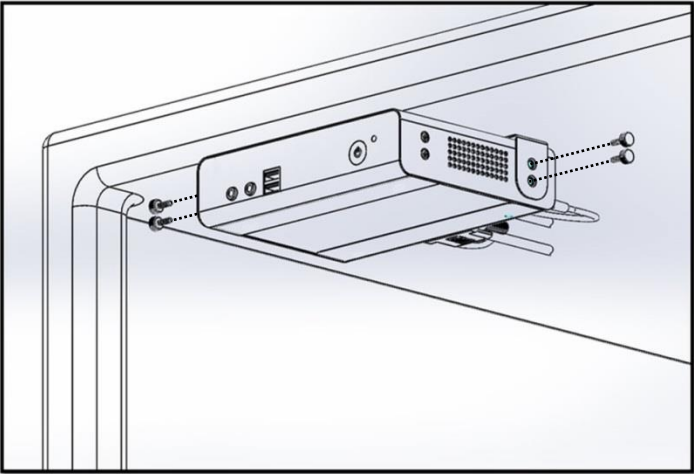
Continued on next page



Installation, Continued

Under desk mounting (continued)

Attaching the zero client

Step	Action
1	<p>Remove the designated screws from the sides of the zero client, as shown in the figure below.</p> 
2	<p>Connect cables (network, video, and power) to the rear of the zero client.</p>
3	<p>Align the holes in the zero client with the corresponding holes in the bracket as shown below. Hold in place while using the included thumb screws to attach the zero client to the bracket.</p> 

You can now power on the zero client and connect to a remote device. See the zero client *Quick Start Guide* for more information.

Continued on next page

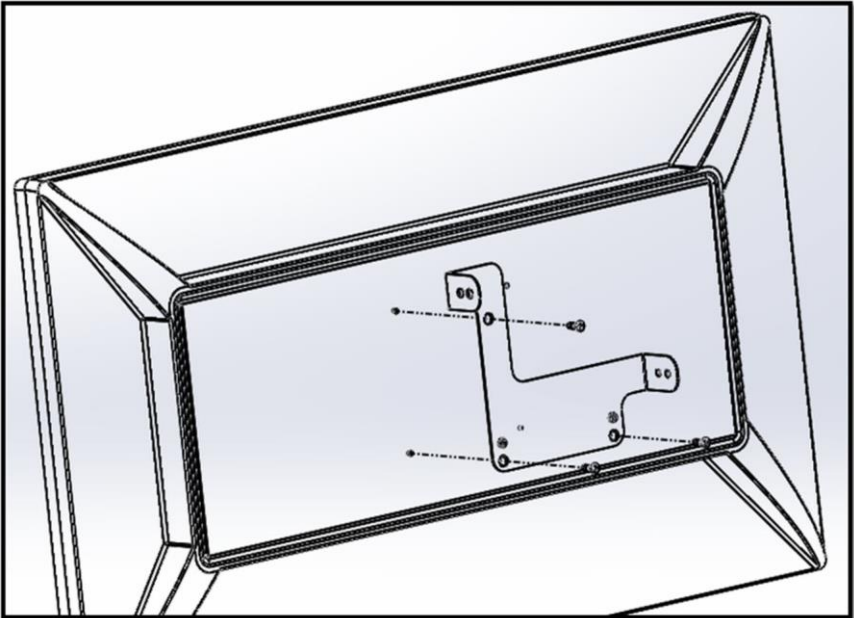


Installation, Continued

VESA mounting

The steps below show how to mount a bracket to a 100 × 100 mm VESA mount (such as on the back of a monitor) and how to attach a zero client to the bracket.

Mounting the bracket

Step	Action
1	Orient the bracket as shown in the figure below and align the bracket holes with the VESA mount holes.
2	While holding the bracket in place, use the included machine screws to affix the bracket to the VESA mount. 

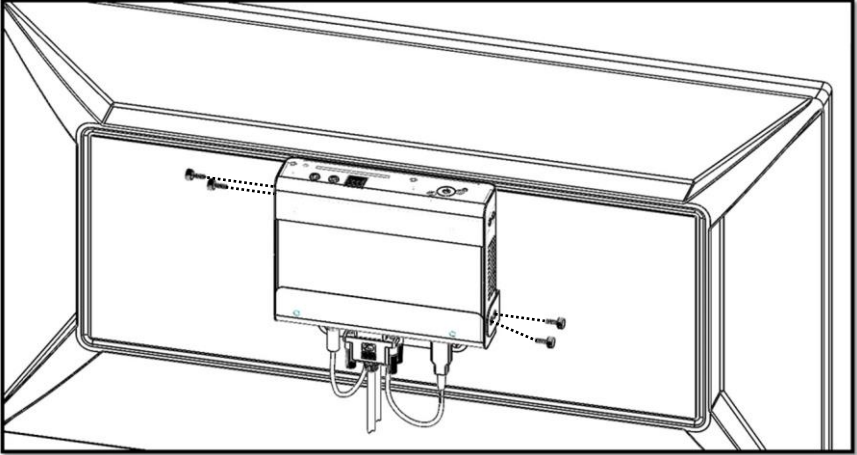
You can now attach a zero client to the bracket as shown below.

Continued on next page

Installation, Continued

VESA mounting (continued)

Attaching the zero client

Step	Action
1	Remove the designated screws from the sides of the zero client as shown in step 1 on page 4 above .
2	Position the zero client in the bracket as shown in the figure below and hold in place. Use the included thumb screws to attach the zero client to the bracket. 
3	Connect cables (network, video, and power) to the rear of the zero client.

You can now power on the zero client and connect to a remote device. See the zero client *Quick Start Guide* for more information.

Additional Information and Support

Additional information

For information about zero clients, see the zero client *Quick Start Guide* or *PC-over-IP® System User's Guide* on the Support site.

Contacting Support

Web	www.clearcube.com/support/
Email	support@clearcube.com
Toll-free	(866) 652-3400
Direct	(512) 652-3400