



ClientCube NET-8 Quick Start Guide

About ClientCube NET-8

Package contents and documentation

The list below shows the contents of a ClientCube NET-8[®] package.

- **ClientCube NET-8**, preconfigured with
 - **Zero clients** (depending on configuration, clients might differ from those shown here)
 - **Device cabling** including ClientCube NET-8 power cable and adapter, zero client power cables, video cables, and (depending on model) USB smart card cabling for KVM switch
 - **Belkin[®] Secure KVM switch**
- This *Quick Start Guide*
- *Secure KVM Switch User Manual*, and
- *Zero Client Quick Start Guide* for installed zero clients.
- **Dual-link DVI cable adapters (Y-cables)** for high-resolutions monitors (2560 × 1600).
See *Zero Client Quick Start Guide* for information about using dual-link DVI cables.

For more information

The section above shows documentation included with the ClientCube NET-8. For additional information, see product documentation at www.clearcube.com/support.

Continued on next page

About ClientCube NET-8, Continued

ClientCube NET-8 front features

The picture below shows the front of a ClientCube NET-8 (depending on the model, product features might differ slightly).

| | Description | |
|----|---|---|
| 1 | Secure KVM switch | |
| 2 | Zero client (Port) | |
| 3 | Zero client (Port) selectors | |
| 4 | Zero client power button and session indicators (see zero client <i>Quick Start Guide</i> for more information) | |
| 5 | Zero client front USB ports (not switched) | |
| 6 | Audio out | Audio devices plugged into zero clients are not switched. Devices plugged into the Console connectors on the rear of the KVM switch are switched. |
| 7 | Audio in | |
| 8 | Enable CAC switch. Slide switch to the right to enable CAC usage on the remote computer to which the zero client is connected. | |
| 9 | CAC reader (<i>in supporting zero clients only</i>). These integrated zero client CAC readers are not switched. External CAC readers connected to the KVM Console are switched. | |
| 10 | CAC indicator (<i>in supporting zero clients only</i>). See zero client <i>Quick Start Guide</i> for more information. | |

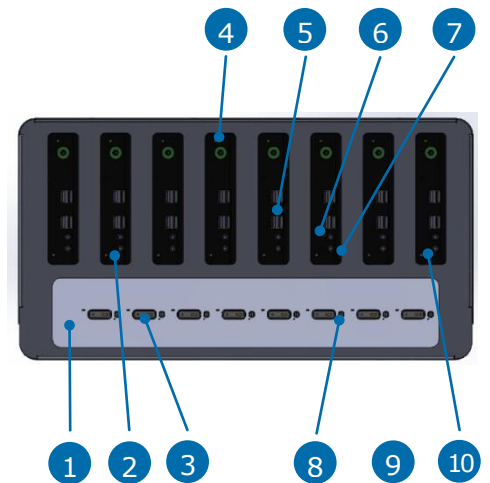


Figure 1. ClientCube NET-8, front view

Continued on next page

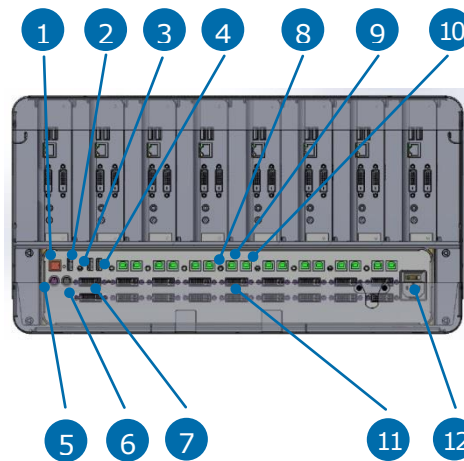


About ClientCube NET-8, Continued

ClientCube NET-8 rear features

The picture below shows the rear of a ClientCube NET-8 (depending on the model, product features might differ slightly).

| | Description |
|----|---|
| 1 | DCU port (for remote Desktop Controller Unit) |
| 2 | Console USB CAC port (see DCU <i>Quick Start Guide</i> for more information) |
| 3 | Console 3.5 mm audio connector |
| 4 | Dedicated USB mouse (<i>left</i>) and dedicated USB keyboard (<i>right</i>) ports (see Belkin KVM documentation for more information) |
| 5 | Dedicated PS2 keyboard port |
| 6 | Dedicated PS2 mouse port |
| 7 | Console monitor ports |
| 8 | Zero client audio input/out port |
| 9 | Zero client keyboard/mouse port |
| 10 | Zero client USB CAC port |
| 11 | Zero client DVI port |
| 12 | KVM power switch and power cable jack |



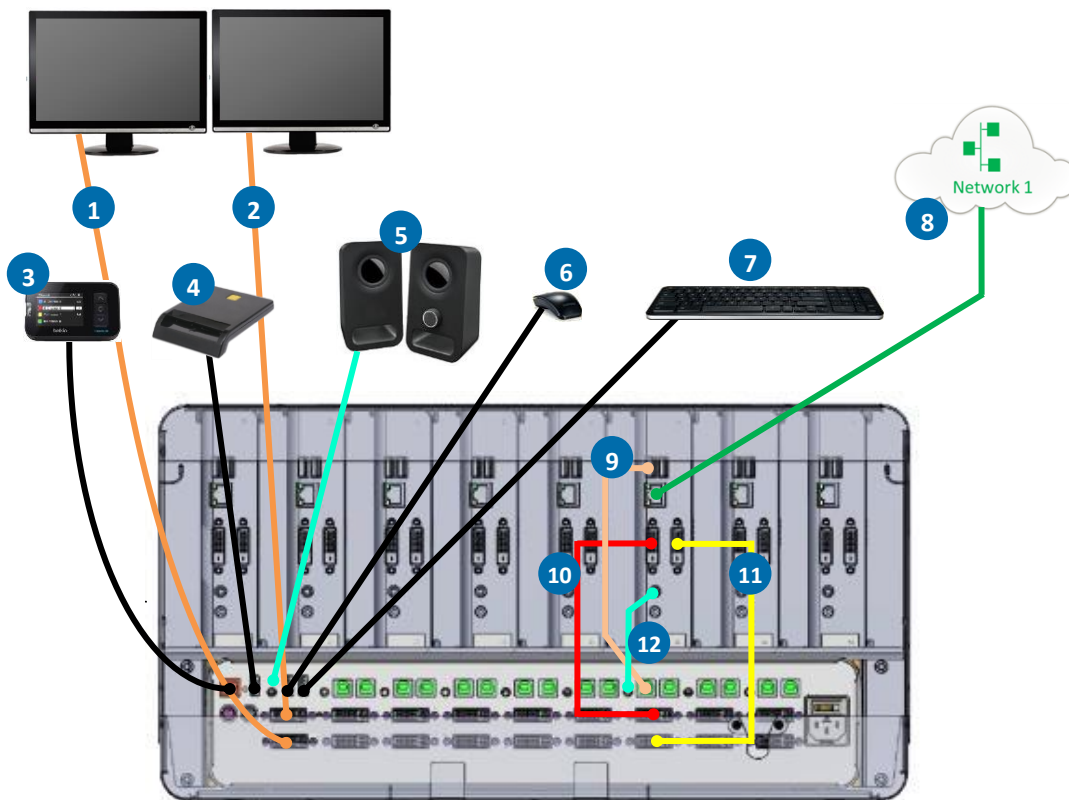
Continued on next page



Cable Configuration

NET-8 Cabling

The picture below shows the default cabling configuration for ClientCube NET-8. For simplicity, cabling is shown between the KVM and one zero client. The same cabling is used for all zero clients.



| | Description |
|---|---------------------------------|
| 1 | Primary monitor |
| 2 | Secondary monitor |
| 3 | Desktop Control Unit (optional) |
| 4 | CAC reader (optional) |
| 5 | Audio |
| 6 | Mouse |

| | Description |
|----|--------------------|
| 7 | Keyboard |
| 8 | LAN |
| 9 | CAC USB (optional) |
| 10 | Primary monitor |
| 11 | Secondary monitor |
| 12 | Audio |

Before You Begin

Personal and product safety

CAUTION: Prevent ESD (electrostatic discharge) damage to ClientCube NET-8 and smart card readers by always discharging your body and smart card before using a reader (for example, by touching a grounded, unpainted, metal object). ESD can vary depending on many environmental conditions, including clothing that users wear and how they handle smart cards. ESD damage can potentially cause unsupported card reader behavior including failure. Always perform ESD prevention steps before using a card reader.



Inspect packaging

If ClientCube NET-8 packaging or hardware (including holographic seals on the Secure KVM or KM) shows any evidence of disruption, call ClearCube Support immediately at **(800) 652-3400**.

Not included in package

Before installing a ClientCube NET-8, be sure to have

- a network cable for each zero client, and
- optionally, a network switch

Before setup

The table below shows steps to take after unpacking a ClientCube NET-8.

| Step | Action |
|------|--|
| 1 | <p>Ensure all required infrastructure is in place and is configured. Depending on your deployment, this can include</p> <ul style="list-style-type: none"> • DHCP servers • a copper network (including switches, routers, and so on) • a fiber network (including media converters, switches, routers, and so on) • VMware® View infrastructure, and • CAC or smart card components and authentication/single-sign-on infrastructure |
| 2 | <p>Record MAC addresses of zero clients and host cards for use during deployment and configuration. (A configuration label on each ClearCube device specifies a MAC address for the PCoIP device.)</p> |
| 3 | <p>If you are using physical computers with PCoIP host cards, download and install audio and GPU drivers appropriate for your host card. ClearCube host cards only support drivers available from ClearCube Support.</p> |

Continued on next page



Before You Begin, Continued

Before setup
(continued)

| Step | Action |
|------|---|
| 4 | Optionally, install a CAC driver on any computing devices requiring CAC support. |
| 5 | <p>If the ClientCube NET-8 includes a KM switch and you are connecting to computers with multi-head displays, install the Belkin Advanced Secure KM Switch Mouse Filter driver software (see www.clearcube.com/support).</p> <p>CAUTION Be sure to remove this driver from computers <i>before</i> using the computer without the Secure KM. Failure to remove the driver results in loss of mouse functionality when connected directly to a computer.</p> |



Setting up ClientCube NET-8

Set up ClientCube NET-8 and KVM

The table below shows how to set up ClientCube NET-8.

NOTE Follow the steps in the order listed below—be sure to connect all video cables before connecting power to ClientCube NET-8 (note that connecting power automatically powers on ClientCube NET-8).

| Step | Action |
|------|---|
| 1 | Connect Ethernet cables to ClientCube NET-8 zero clients. |
| 2 | Connect one or more displays to the Secure KVM Console Monitor Port(s). |
| 3 | Connect a keyboard and mouse to the Console portion of the Secure KVM. |
| 4 | Optionally, connect speakers and CAC reader to Console portion of the Secure KVM. |
| 5 | Connect the ClientCube NET-8 power cable to a power outlet, and then connect the power adapter to ClientCube NET-8. Result: Secure KVM and zero clients power on. |

Configure devices and connect

The table below shows how to configure zero clients and remote hosts, and how to connect.

| Step | Action |
|------|---|
| 1 | Configure zero clients using the zero client <i>on-screen display</i> (OSD). NOTE For more information about the OSD and configuration, see the appropriate zero client <i>Quick Start Guide</i> (included). |
| 2 | If you are using physical devices with PCoIP host cards, use a Web browser to configure the host card as appropriate for your environment. For more information, see the documentation cited above. |
| 3 | From the zero client OSD, click Connect . Result: If you are using direct connection or reserved DHCP addresses, you are connected to the remote host specified during configuration. If you are using DHCP and device discovery, a list of available hosts is displayed. Select a host to connect to. |

Additional steps

Optionally, install ClientCube NET-8 accessories including color chips to distinguish each port button, and name labels to identify each network. See the included *Secure DVI-I KVM User Manual* for more information.



Connecting to Devices

Dependencies

If you are connecting to physical devices (such as Blade PCs) with PCoIP host cards, use a Web browser to configure the host card as appropriate for your environment. For more information about Host Card configuration, see the appropriate zero client *Quick Start Guide* (included) and *PC-over-IP System User's Guide* (download from ClearCube Support).

Connecting to a client

From the zero client OSD, click **Connect**.

If you are using direct connection or reserved DHCP addresses, you are connected to the remote host specified during configuration. If you are using DHCP and device discovery, a list of available hosts is displayed. Select a host to connect to. You are now connected to a remote host.

Additional Information and Support

Documentation resources

See "[Package contents and documentation](#)" and "[For more information](#)" [on page 1](#) for a list of documentation about ClientCube NET-8 components.

Contacting Support

| | |
|------------------|--|
| Web | www.clearcube.com/support/ . |
| Email | support@clearcube.com |
| Toll-free | (866) 652-3400 |
| Direct | (512) 652-3400 |